

INSTALLATION INSTRUCTIONS

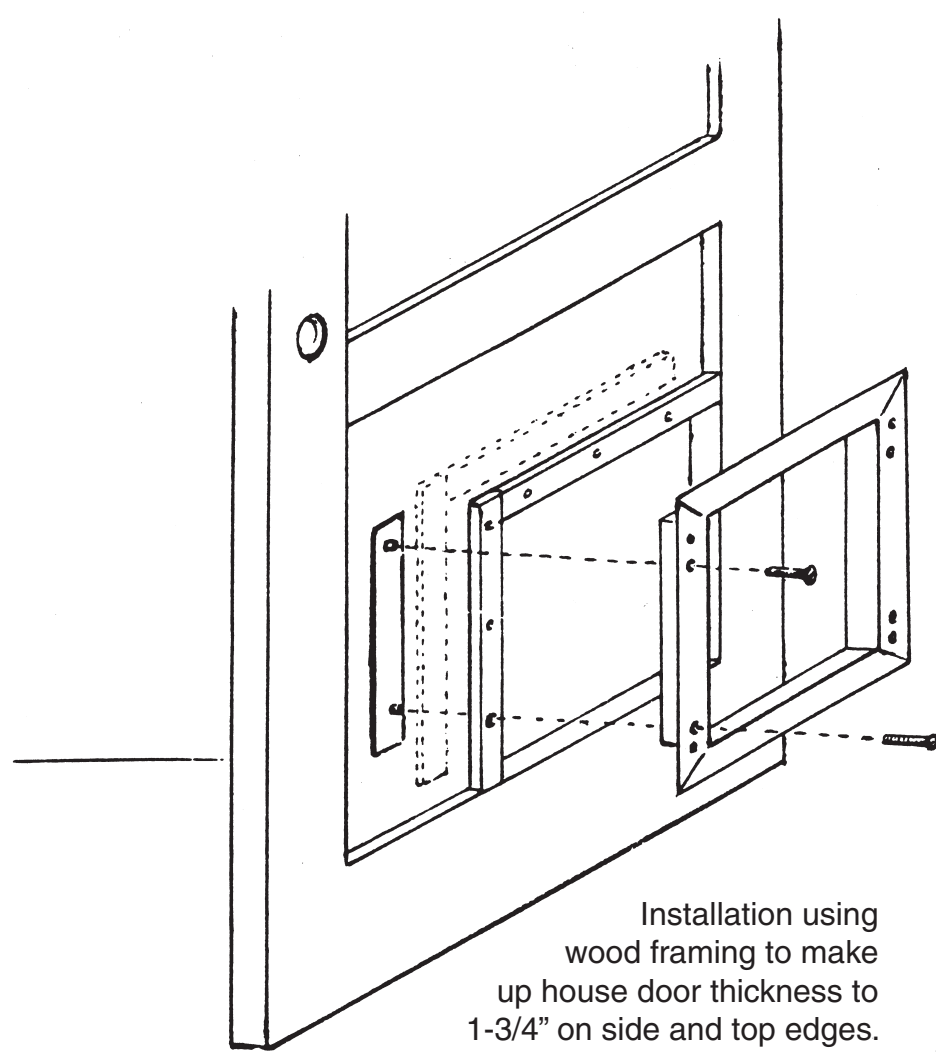
TOOLS YOU WILL NEED:

- | | |
|-----------------|---|
| Drill | Phillips Head & Flat Head Screw Drivers |
| 1/2" dia. Drill | Square or Plumb Line or Level |
| 3/8" dia. Drill | Jigsaw with a wood or metal blade |
| Felt Tip Pen | Ruler |
| Hammer | Center Punch |

THE DOG DOOR MUST BE INSTALLED WITH SPRINGS AT THE TOP, AND IN A TRUE VERTICAL POSITION. OTHERWISE IT WILL NOT WORK PROPERLY. PLEASE CHECK THIS WITH A SQUARE OR PLUMB LINE.

1. See **Owner's Manual** for correct position of pet door.
2. Tape template securely to the **INSIDE** of the house door.
3. **With a center punch and hammer** make a firm indent through the template into the house door at the center cross of the 14 holes. Then remove template.
4. **With a 1/2" dia. drill**, make the four holes (**marked A**), drilling right through the door. Ease pressure when breaking through.
- * 5. **With a 3/8" dia. drill**, make the four holes (**marked B**), drilling right through the door.
6. **With a 3/8" dia. drill**, make the four holes (**marked C**), drilling only 3/4" deep.
7. **With a felt tip pen and rule**, mark out on door the thick sawing lines (**marked D**).
8. With a **jigsaw**, cut along sawing lines.
9. **Place dog door in position with springs at top**. Spring mechanisms must be able to operate freely. **DO NOT REMOVE SPRING COVERS.**
- * 10. **Use the 4 - 2" 10-32 long machine screws** to join the interior frame to the 2 exterior frame pieces which have threaded inserts. The inserts should point inwards, and are off-center. Make sure you join them with the short distance towards the middle. Do not overtighten screws. **Test pet door for free movement.**
- * 11. **Complete exterior frame** by screwing top gutter and lower piece to the house door, using the 4 small 3/4" #6 wood screws.

Items 5, 10 and 11 apply to units with exterior framing to be installed on an entry door.



PARTS LIST	QUANTITY XL	QUANTITY BG1825
Plexidor/BG1825	1	1
Exterior sides	2	0
Exterior bottom	1	0
Exterior Top/Gutter	1	0
Security Plate	1	0
Keys	2	2
2" 10-32 machine screw	4	0
3/4" #6 screw	4	0
1 3/4" #10 screw	0	4

TEMPLATE PLEXIDOR XL BITEGUARD KENNELPLEX 1825

**DOOR TEMPLATE
USE AS A GUIDE ONLY FOR WALLS
PLEASE READ ALL
INSTRUCTIONS
BEFORE CUTTING!**